

EX-7 series

HITACHI

Reliable solutions

EX2600



HYDRAULIC EXCAVATOR

Model Code: EX2600-7 (Fuel Consumption Optimization)
Engine Rated Power: Cummins: 1 119 kW (1 520 PS)
MTU: 1 150 kW (1 563 PS)
Operating Weight: Cummins Loading Shovel: 258 000 kg
Backhoe: 256 000 kg
MTU Loading Shovel: 260 000 kg
Backhoe: 258 000 kg
Bucket: Loading Shovel: ISO Heaped: 15.0–16.5 m³
Backhoe: ISO Heaped: 17.0 m³

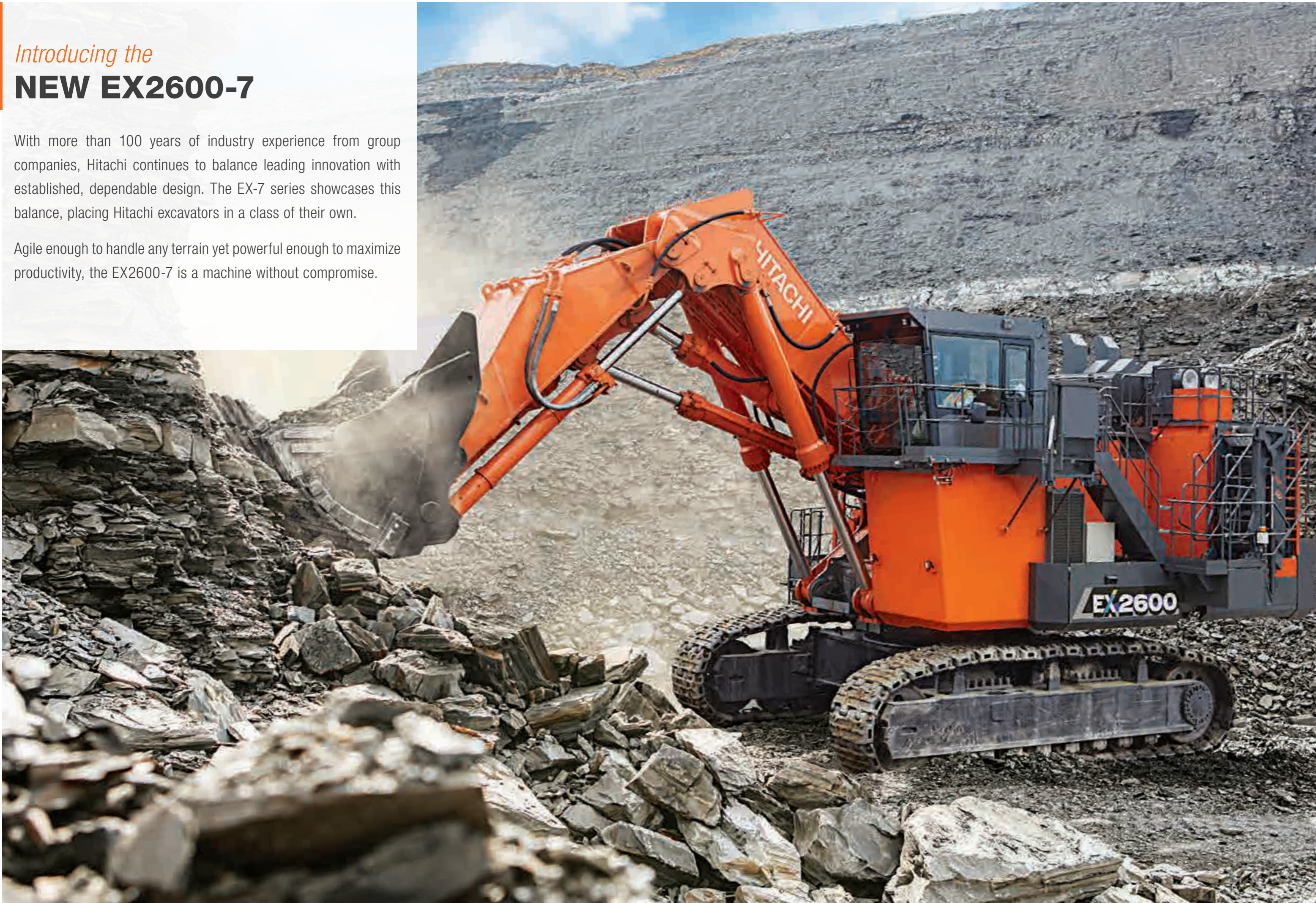
Model Code: EX2600-7B (Tier 4 Final)
Engine Rated Power: Cummins: 1 119 kW (1 520 PS)
MTU: 1 150 kW (1 563 PS)
Operating Weight: Cummins Loading Shovel: 259 000 kg
Backhoe: 257 000 kg
MTU Loading Shovel: 261 000 kg
Backhoe: 259 000 kg
Bucket: Loading Shovel: ISO Heaped: 15.0–16.5 m³
Backhoe: ISO Heaped: 17.0 m³

Model Code: EX2600-7E
Power Output: 860 kW
Bucket: Loading Shovel: ISO Heaped: 15.0–16.5 m³
Backhoe: ISO Heaped: 17.0 m³

Introducing the
NEW EX2600-7

With more than 100 years of industry experience from group companies, Hitachi continues to balance leading innovation with established, dependable design. The EX-7 series showcases this balance, placing Hitachi excavators in a class of their own.

Agile enough to handle any terrain yet powerful enough to maximize productivity, the EX2600-7 is a machine without compromise.



designed for SUSTAINABILITY

Hitachi's latest energy optimization features are delivering a greener future for the mining industry. A selection of engine models including a choice of emission configurations to meet regulatory requirements, electronically controlled hydraulic pumps, optimized cooling package, and enhanced hydraulic circuits deliver unparalleled performance with environmental conscience.



ENGINE OPTIONS

CUMMINS

Cummins QSK50, 16 cylinder, 50 L, turbo-charged, after-cooled 1 119 kW (1 520 PS)

Options:

Cummins diesel engine U.S.A. E.P.A. Tier 4 conforming model, with Diesel Exhaust Fluid (DEF) tank

Cummins diesel engine Fuel Consumption Optimization (FCO) model

MTU

MTU 12V4000, 12 cylinder, 57.2 L, turbo-charged, after-cooled 1 150 kW (1 563 PS)

Options:

MTU diesel engine U.S.A. E.P.A. Tier 4 conforming 2-stage turbo-charged model

MTU diesel engine Fuel Consumption Optimization (FCO) single stage turbo-charged model

HITACHI AC ELECTRIC MOTOR

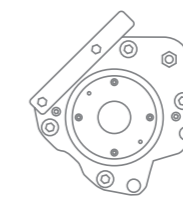
The EX2600-7E electric excavator is available, operating with the Hitachi AC electric motor

Options:

electric motor (860 kW)
50 Hz, 6 000 V, 6 600 V*

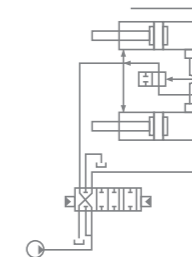
electric motor (860 kW)
60 Hz, 6 600 V, 7 200 V*

*Please contact hitachi for other specification request



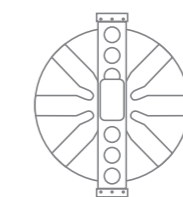
MAIN PUMP ELECTRIC REGULATORS

Each individually controlled hydraulic pump has its own electric regulator, enhancing engine power, lowering fuel consumption, and increasing productivity to lower the total cost of operation.



HYDRAULIC REGENERATION CIRCUIT

The flow regeneration valve fitted to the hydraulic system reduces pump demand, ultimately reducing power requirements from the hydraulic system and engine. The result is lower fuel consumption and improved pump life.



HYDRAULIC OIL COOLER

A larger hydraulic oil cooler with variable speed fan reduces energy demand and creates a more reliable hydraulic system. The oil cooler is kept separate from the radiator to reduce hydraulic oil temperatures, increase hydraulic service life, and improve maintainability.



RADIATOR FAN CLUTCH

The radiator fan clutch and variable speed fan are specifically tailored to engine cooling requirements, resulting in an optimized cooling system with less engine horsepower demand and less operational noise.

designed for **PRODUCTIVITY**

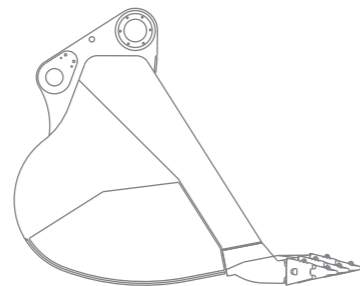
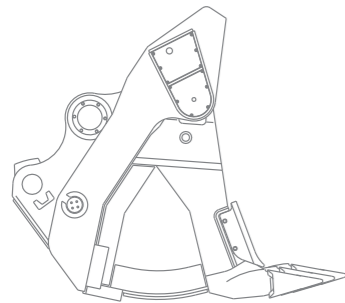
Mining is a very demanding industry, which is why Hitachi's EX-7 excavators go above and beyond project requirements to deliver maximum performance.

The EX2600-7 is packed with efficient features to meet any challenge.

FRONT ATTACHMENT

With a front attachment design that prioritizes performance, the EX2600-7 can achieve superior productivity under different digging profiles.

The boom and arm are strategically welded, utilizing a full-box section design to evenly distribute stress and provide ease of maintenance.



LOADING SHOVEL

The Loading Shovel attachment is equipped with an auto-leveling crowd mechanism that controls the bucket at a constant angle. The bucket has been designed to enhance loading capability with a tilt angle that enhances operational efficiency.

LOADING SHOVEL EXCAVATING FORCE

Arm crowding force on ground
918 kN (93 600 kgf)

Bucket digging force
943 kN (96 200 kgf)

BACKHOE

The Backhoe attachment is designed using computer aided box frame analysis to determine the optimal structure for integrity and longevity. Complete with floating pin and bush, the bucket has been designed to match the geometry of the attachment to maximize productivity.

BACKHOE EXCAVATING FORCE

Arm crowding force
785 kN (80 000 kgf)

Bucket digging force
830 kN (84 600 kgf)



designed for **SAFETY**

Hitachi prioritizes safety, and the EX-7 excavators are safer to operate and maintain than ever before. The EX2600-7 includes dependable safety features like an on-board inclinometer, improved walkways, handrails, and dual isolator switch as standard, delivering absolute protection.



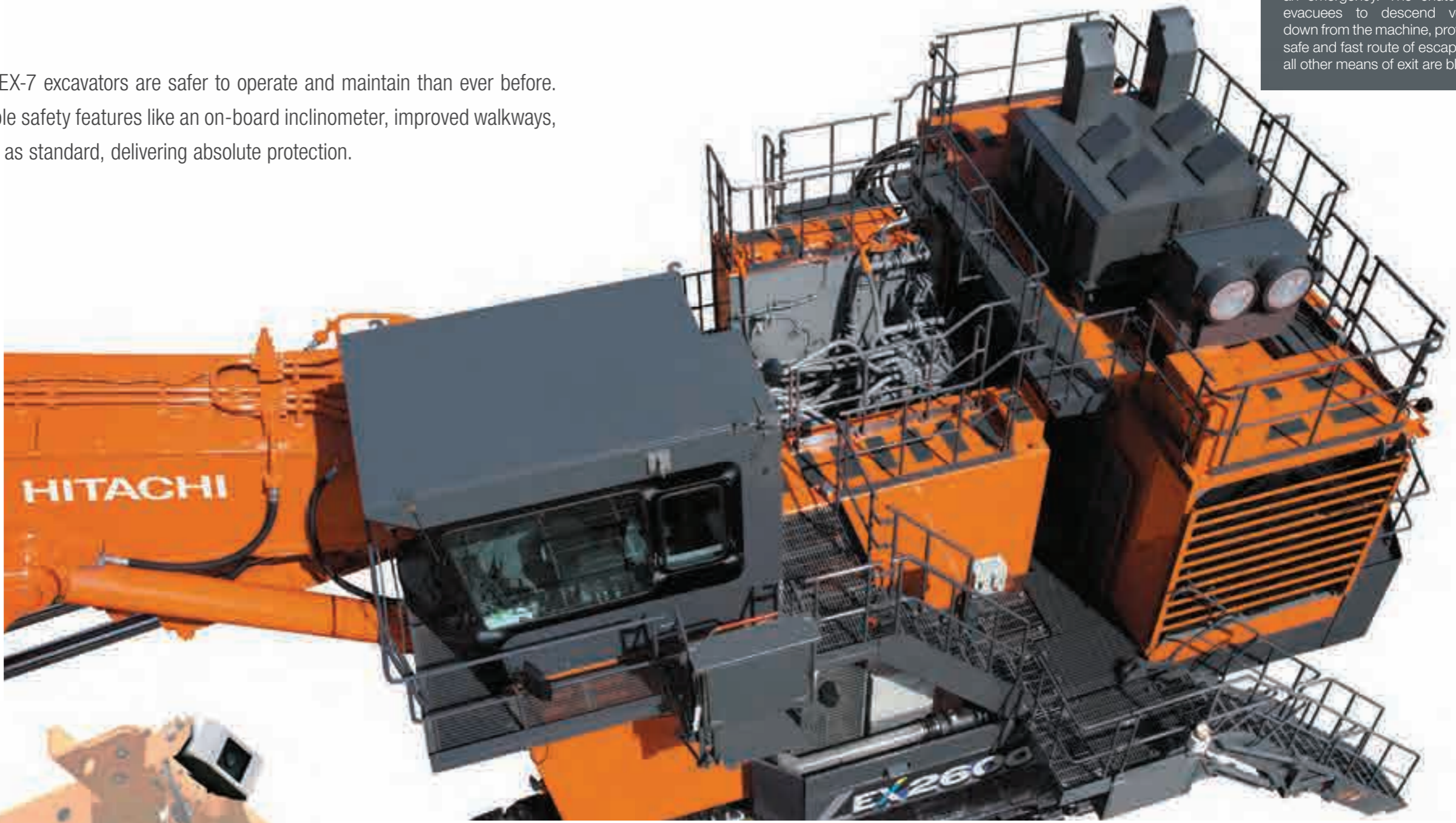
DUAL ISOLATOR SWITCH

The conveniently located dual isolator switch offers the option to deactivate the engine and battery individually. When inspections and maintenance are required, the battery isolator provides the benefit of isolating both the positive and negative terminals of the battery for a safe working environment. The engine isolator deactivates the engine starter motor while allowing battery power to the electric system for troubleshooting, to enhance safety and maintainability.



ON-BOARD INCLINOMETER

The on-board inclinometer assists the operator to work within the safe limits of the machine, with two predetermined safety limits providing extra assurance. If the first safety limit is exceeded, the operator receives a visual alert prompting them to take corrective action. The alert escalates to an audible alarm if the second safety limit is breached.



EMERGENCY ESCAPE CHUTE

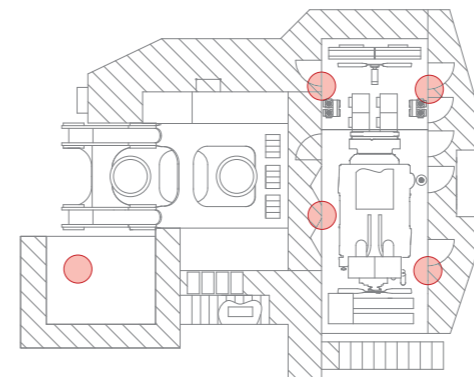
An escape chute has been added to the side of the cab for use in an emergency. The chute allows evacuees to descend vertically down from the machine, providing a safe and fast route of escape when all other means of exit are blocked.

PERIMETER MONITORING CAMERAS (OPTIONAL)

Optional perimeter monitoring cameras offer better visibility of a surrounding area, reducing blind spots for the operator. Two cameras are located at both the front and rear of the excavator, and are linked to monitors inside the cab.

ENGINE STOP SWITCHES

Engine stop switches are located in easily accessible areas: two in the engine room, two in the pump room, and one emergency stop switch in the cab.



ACCESS AND WALKWAYS

Anti-slip walkways and specially designed handrails reduce the risk of tripping when maneuvering around the machine, and provide ease of access for operators and maintenance personnel.

Wide, low-gradient, non-slip, hydraulic folding stairs allow for easy and safe access to the machine.



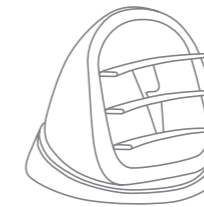
MULTI-FUNCTIONAL DISPLAY

Fitted with an LED back-light to improve clarity and reduce glare, the multi-functional display provides key machine information, performance indicators and through use of an integrated dial switch interface.



designed for OPERATOR COMFORT

A comfortable operating environment is essential for productivity, and the EX2600-7 is engineered for a luxurious operator experience. Features like ergonomic layout, electronic joysticks, intelligent Multi-Functional Display, advanced air suspension seating and better climate control boost operator productivity.



CLIMATE CONTROLLED AIR CONDITIONING

The pressurized cab's climate controlled air conditioning helps to overcome environmental extremes. Optimized filtering of interior and exterior air combined with the new flexi-vent system provides a personalized and balanced environment that meets operator demands.



OPERATOR SEAT

Specifically designed for use in the mining industry, the automatic weight-adjusting air suspension seat calculates optimal cushioning to match the operator's weight, enhancing comfort and minimizing vibration.



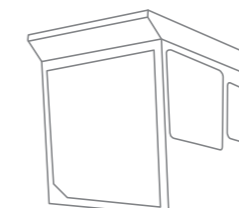
ELECTRONIC JOYSTICKS

Integrated electronic joysticks connected to the machine's microprocessor enable precise and almost effortless operation, minimizing operator fatigue and improving operational performance.



ROLL SCREENS

Retractable front and side roll screens protect the operator from UV glare and reduce heat buildup in the cab, improving the efficiency of the climate controlled air conditioner for a superior operating environment.



OPERATOR CABIN

The use of laminated tinted windows reduce heat and glare. Sound-suppression further enhances ergonomics and comfort for the operator.

The Level II Operator Protective Guard (OPG) provides secure protection from falling objects, ensuring operator safety.



designed for
**EASE OF
 MAINTENANCE**

Hitachi's EX-7 series of excavators are designed to streamline and safeguard maintenance for a more intuitive and operator-friendly machine. A modular arrangement offers spacious passageways and work platforms to simplify daily upkeep and major component inspections, and makes the EX2600-7 easy and safe to maintain.

AUTO-LUBRICATION SYSTEM

A new auto-lubrication system comes with 380 L large capacity grease tank, new grease pump, in-line grease filter with breather, grease level indicator in cab and provision for fitment of a second grease pump in the lubrication tank. These features provide a more reliable system with less downtime.



CONTAMINATION SENSORS

Contamination sensors are located on main hydraulic pumps, travel motor and swing motor to detect any contaminants that may cause damage to the hydraulic system. Sensors alert the operator of potential contaminants and record the fault code in the Data Logging Unit (DLU), with the capability to remotely advise maintenance personnel.



CENTRALIZED LUBRICATION SYSTEM

The centralized fast-filling system provides easy access from the ground to refill and evacuate lubricants, water, grease and fuel. The fast-filling system can be fitted with an optional quick coupler.



GREASE-LESS CENTER JOINT

The new center joint uses the machine's hydraulic oil to self-lubricate, reducing the need for daily maintenance.



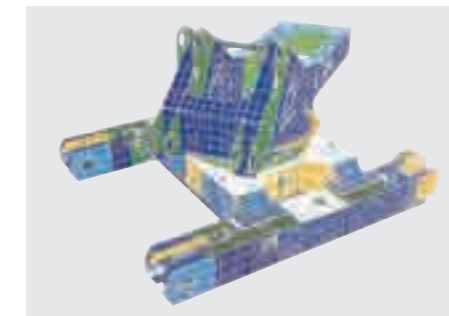
LUBRICATION PIPING COVER

A swing circle cover has been added to the outside of the swing bearing, protecting the lubrication piping from debris damage.



designed for
DURABILITY

A machine is only as productive as its lifespan, which is why Hitachi's EX-7 excavators are built to last in the toughest of conditions. Advanced computer modelling, specialized forgings, and pedestal design track shoes are just some of the features that give the EX2600-7 unmatched endurance and exceptional productivity.



RIGID BOX DESIGN

Computer assisted analysis has been used to determine the most effective design for frame longevity, ensuring the EX2600-7 withstands the demands of any mining operation.



CENTER TRACK FRAME

Hitachi's exclusive center track frame delivers optimal stress dispersion, through the use of specially designed forged steel parts, to reduce the chance of failure in critical high-stress areas. This guarantees a stronger frame with improved durability.



UPPER ROLLERS

The EX2600-7 undercarriage has three double-sided, pedestal-designed upper rollers on each side of the track frame. These rollers maintain track shoe clearance and provide protection from debris buildup, reducing shoe and roller wear for a more reliable undercarriage system.



OIL-FILLED ROLLERS & IDLERS

The oil-filled idlers and upper and lower rollers eliminate the need for daily lubrication, helping reduce maintenance costs.



TRACK SHOES

Hitachi's classic track shoe design has been applied to mitigate premature wear of the drive-lugs. Each shoe is induction hardened using Hitachi's proven methods to deliver a superior and more durable solution.



CENTER FRAME UNDERGUARD (OPTIONAL)

A newly designed heavy duty guard protects hoses and accumulators located in the track center frame from rocks and debris ingress, providing extra protection and reliability.

ELECTRONIC CYLINDER STROKE CONTROL

The new on-board electronic controller receives signals from angle sensors fitted to the main frame, boom and arm to control the pump flow rate and cylinder speed. Shock at stroke end of the cylinder cycle is reduced, improving operator comfort and lowering impact on cylinders and structures for more reliable operation.



designed for **RELIABILITY**

Hitachi's longstanding commitment to engineering and design excellence makes EX-7 excavators the most reliable on the market. The EX2600-7 integrates advanced technologies with trusted durable design for a consistently dependable machine.



FRONT ATTACHMENT HOSES

Hitachi's hose design has been tested on a high cyclic fatigue rate to maximize longevity and improve safety. Front attachment hoses have been rearranged from the traditional arch style to an underslung configuration removing the need for clamping, reducing chafing and increasing reliability.



CAB RISER PRESSURIZER

The cab riser now features a pressurizer system to reduce dust infiltration, extending service life of the electronic components and devices within.



SOLID CONDUIT WIRE HARNESES

Newly introduced solid conduit harnesses and junction boxes prevent dust and moisture ingress, improving longevity. Electrical harnesses between junction boxes can be replaced individually, reducing maintenance time and cost.

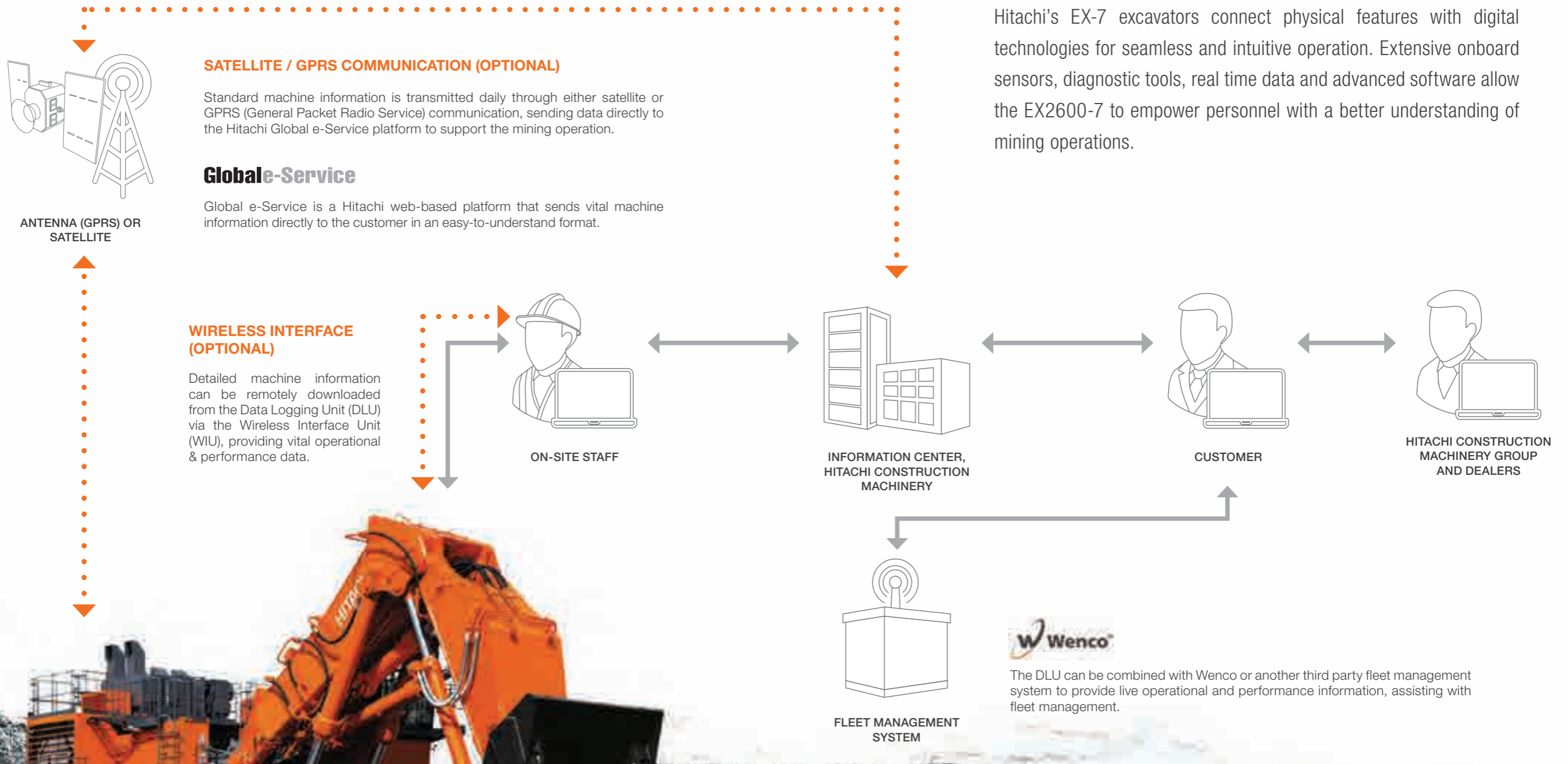


OPERATING LIGHTS

Strategically placed long-life LED working lights provide assured reliability for night operations.

designed for INTELLIGENCE

Hitachi's EX-7 excavators connect physical features with digital technologies for seamless and intuitive operation. Extensive onboard sensors, diagnostic tools, real time data and advanced software allow the EX2600-7 to empower personnel with a better understanding of mining operations.



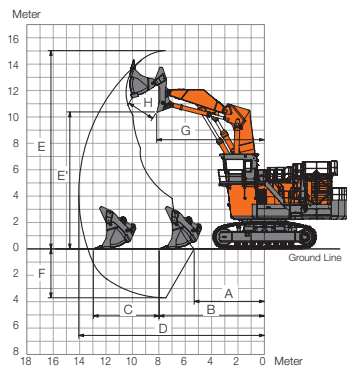
Aerial Angle (OPTIONAL)

Aerial Angle provides the operator with a real-time continuous birds-eye view around their excavator. Cameras strategically mounted on the machine combine to a single aerial view of the EX2600-7 surroundings. Multiple screen display options can be selected on the cab's 7-inch Aerial Angle monitor for ease of operation.

SPECIFICATIONS

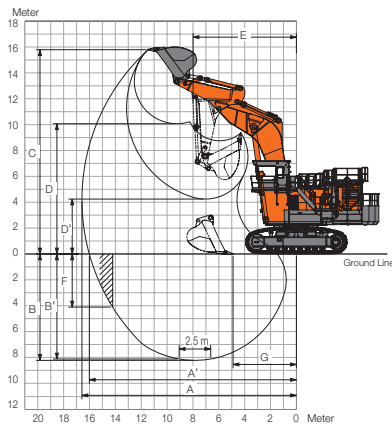
WORKING RANGES

Loading Shovel



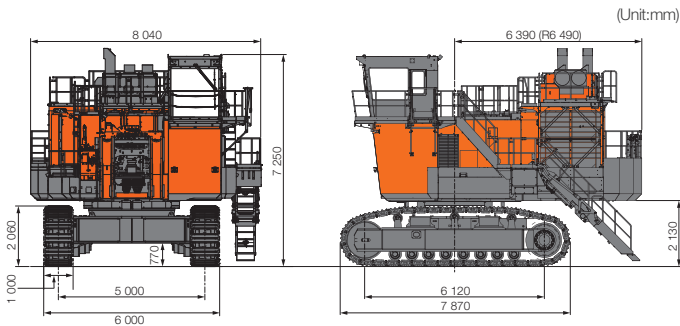
	(Unit:mm)
A: Minimum Digging Distance	5 340
B: Minimum Level Crowding Distance	7 980
C: Level Crowding Distance	4 980
D: Maximum Digging Reach	14 060
E: Maximum Cutting Height	15 010
E': Maximum Dumping Height	10 350
F: Maximum Digging Depth	3 720
G: Working Radius at Maximum Dumping Height	8 140
H: Maximum Bucket Opening Width	2 150

Backhoe



	(Unit:mm)
A: Maximum Digging Reach	16 600
A': Maximum Digging Reach (on ground)	16 050
B: Maximum Digging Depth	8 250
B': Maximum Digging Depth (2.5m level)	8 150
C: Maximum Cutting Height	15 800
D: Maximum Dumping Height	10 100
D': Minimum Dumping Height	4 250
E: Minimum Swing Radius	7 990
F: Maximum Vertical Wall	4 100
G: Minimum Level Crowding Distance	4 900

DIMENSIONS



PASS MATCH

Best match: 4–6 passes

Potential match: 3–8 passes

Model		60t class truck	100t class truck	EH3500AC-3	EH4000AC-3	EH5000AC-3
EX1900-6	BH (12 m ³)	3	5			
	LD (11 m ³)	4	6			
EX2600-7	BH (17 m ³)		3	6	8	
	LD (15 m ³)		4	8		
EX3600-7	BH (22 m ³)		3	5	6	8
	LD (22 m ³)		3	5	7	

ENVIRONMENT

Auto control air conditioner contains fluorinated greenhouse gases , Refrigerant type: HFC-134a, GWP: 1430, Amount: 2.80 kg, CO2e: 4.00 ton.

UPPER STRUCTURE

Swing speed	4.1 min ⁻¹ (rpm)
Fuel tank capacity	5 300 L
DEF tank capacity (T4F only)	356 L

HYDRAULIC SYSTEM

Main Pumps	6 variable-displacement, axial piston pumps for front attachment, travel and swing
Pressure setting	29.4 MPa (300 kgf/cm ²)
Max. oil flow	4 X 375 L/min, 2 X 425 L/min

UNDERCARRIAGE

Travel speeds	High : 0 to 2.3 km/h Low : 0 to 1.6 km/h
Maximum traction force	1 330 kN (135 600 kgf)
Gradeability	58 % (30 degree) max

WEIGHTS AND GROUND PRESSURE

Loading Shovel

Equipped with 15.0 m³ (ISO heaped) bottom dump bucket

Shoe width	Weight	Ground pressure
1 000 mm	259 000 kg	189 kPa (1.92 kgf/cm ²)

Backhoe

Equipped with 17.0 m³ (ISO heaped) bucket

Shoe width	Weight	Ground pressure
1 000 mm	257 000 kg	187 kPa (1.91 kgf/cm ²)

Cummins T4F configuration

ATTACHMENTS

Loading Shovel

Bucket Capacity (ISO heaped)

15.0 m³ : Material density 1 800 kg/m³ or less
16.5 m³ : Material density 1 600 kg/m³ or less

Backhoe

Bucket Capacity (ISO heaped)

17.0 m³ : Material density 1800 kg/m³ or less

ENGINE

Model Cummins QSKTA50 -CE (FCO,T4F)

Rated power @1 800 min⁻¹ (rpm)

ISO14396 1 119 kW (1 520 PS)

Piston displacement 50.0 L

Model MTU 12V4000 C13R (FCO)

Rated power @1 800 min⁻¹ (rpm)

ISO14396 1 150 kW (1 563 PS)

Piston displacement 57.2 L

Model MTU 12V4000 C15 (T4F)

Rated power @1 800 min⁻¹ (rpm)

ISO14396 1 150 kW (1 563 PS)

Piston displacement 57.2 L

Before using a machine with a satellite communication system or telecommunication system, complies with local regulations, safety standards and legal requirements. If not so, please make modifications accordingly.

These specifications are subject to change without notice. Illustrations and photos show the standard models, and may or may not include optional equipment, accessories, and all standard equipment with some differences in color and features. Before use, read and understand the Operator's Manual for proper operation.